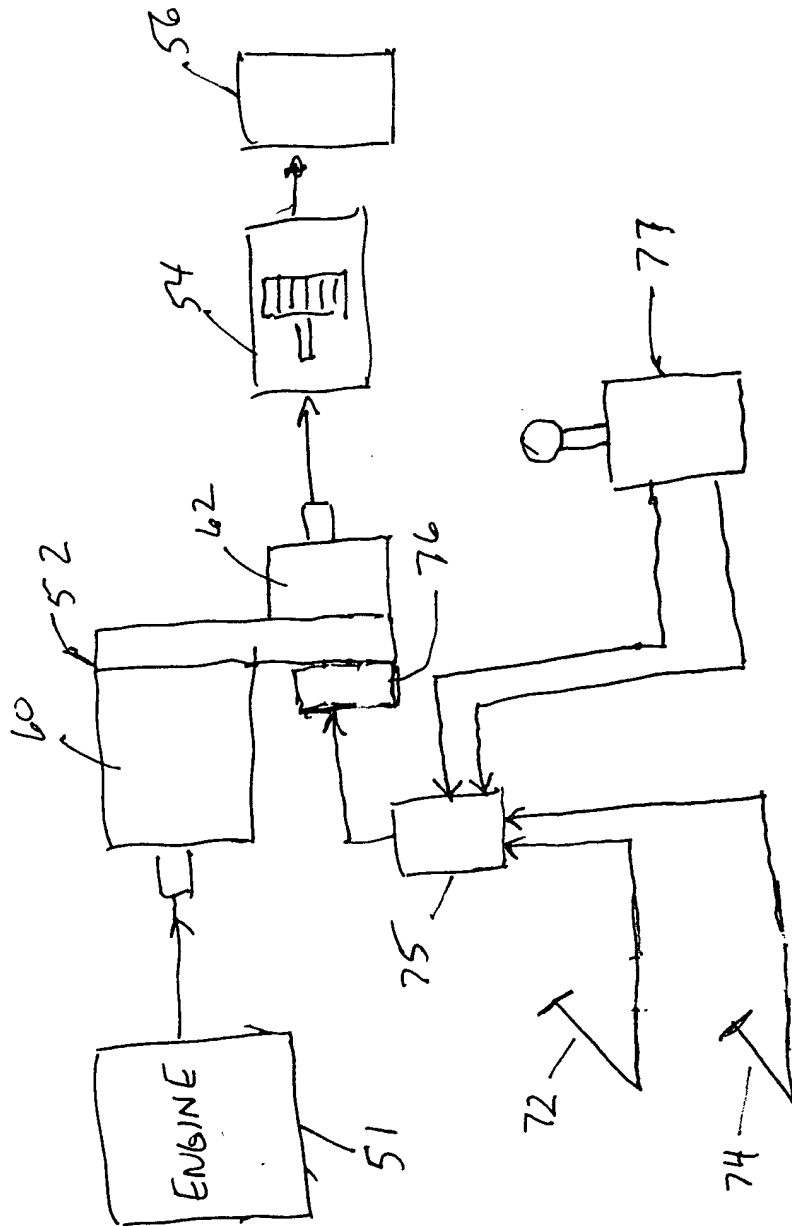


FIG 1

FIG 2



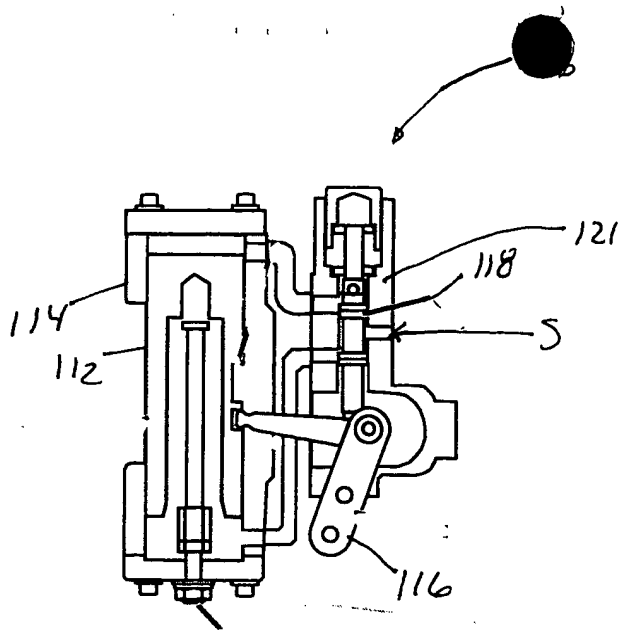


FIG. 3

FIG. 3
 FIG. 4

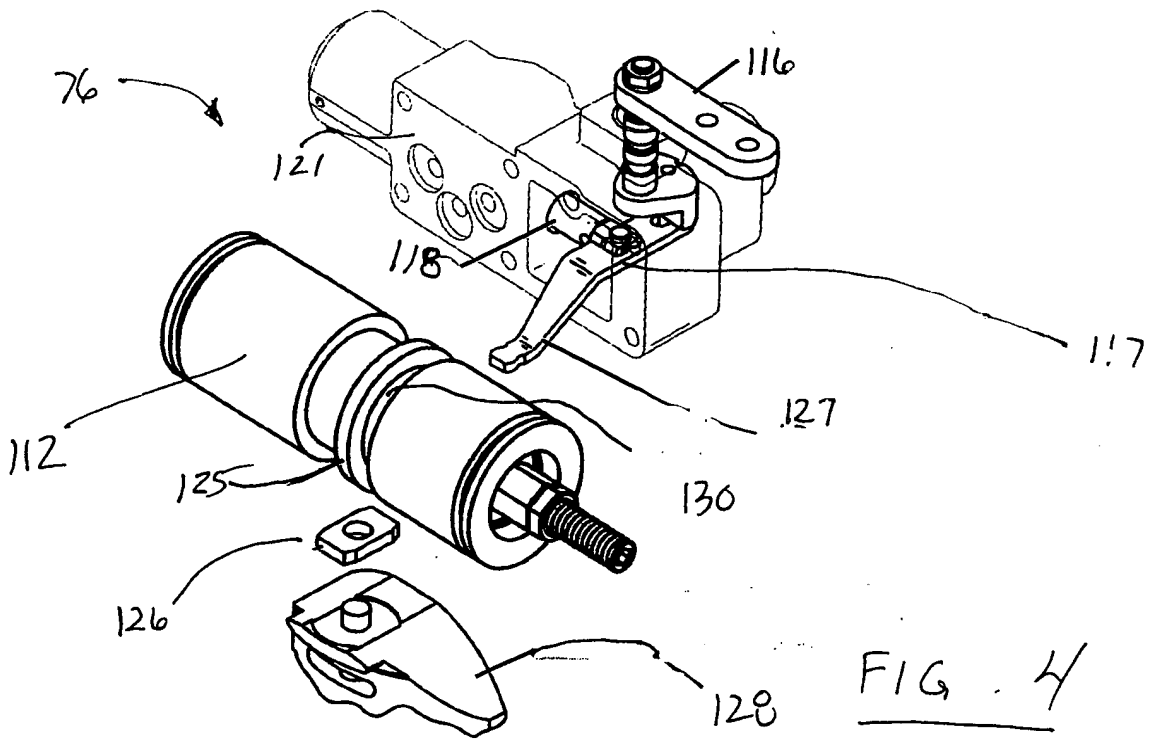
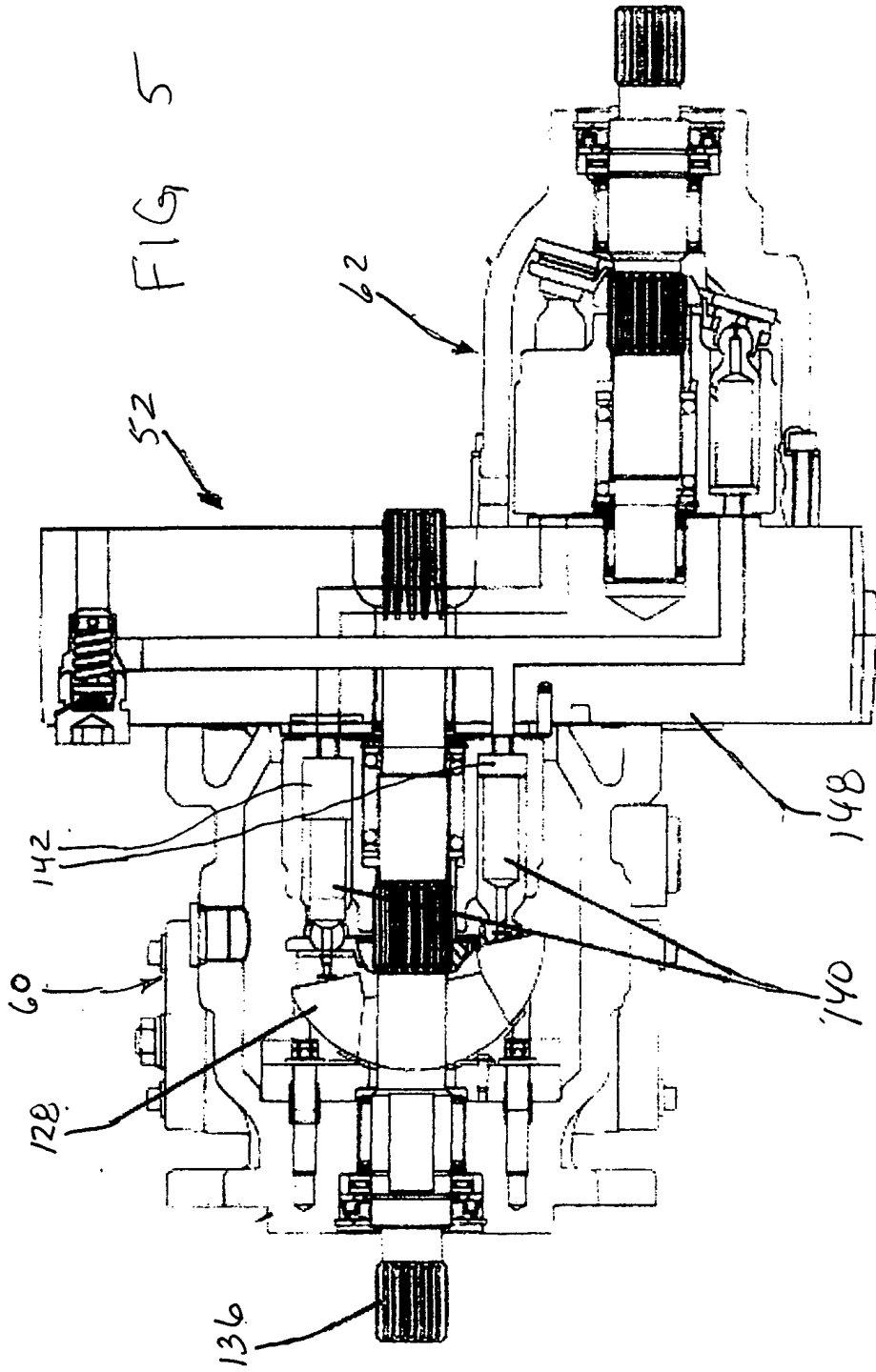


FIG. 4

FOOT SURFACE



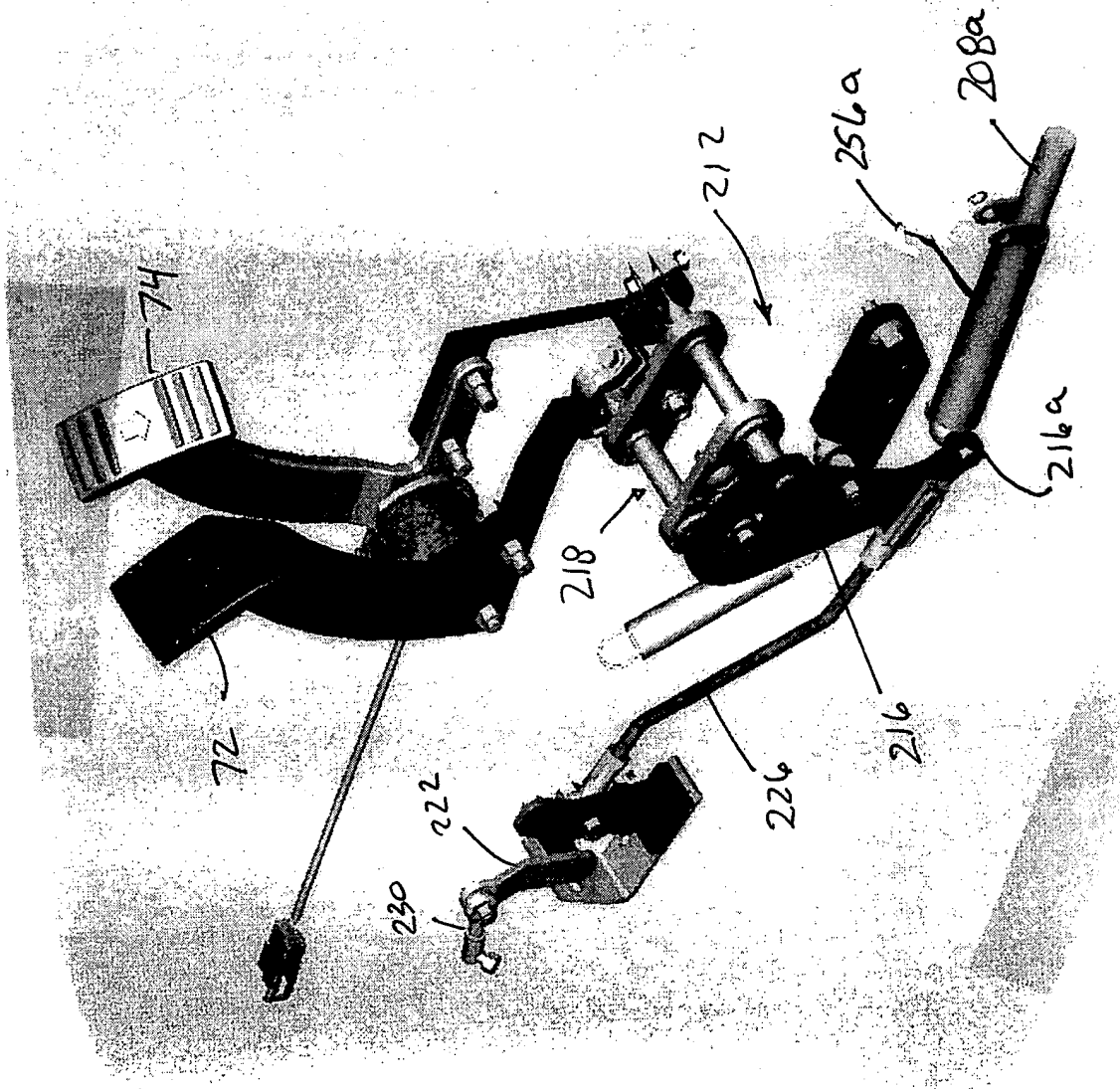


FIG 7

FIG. 10

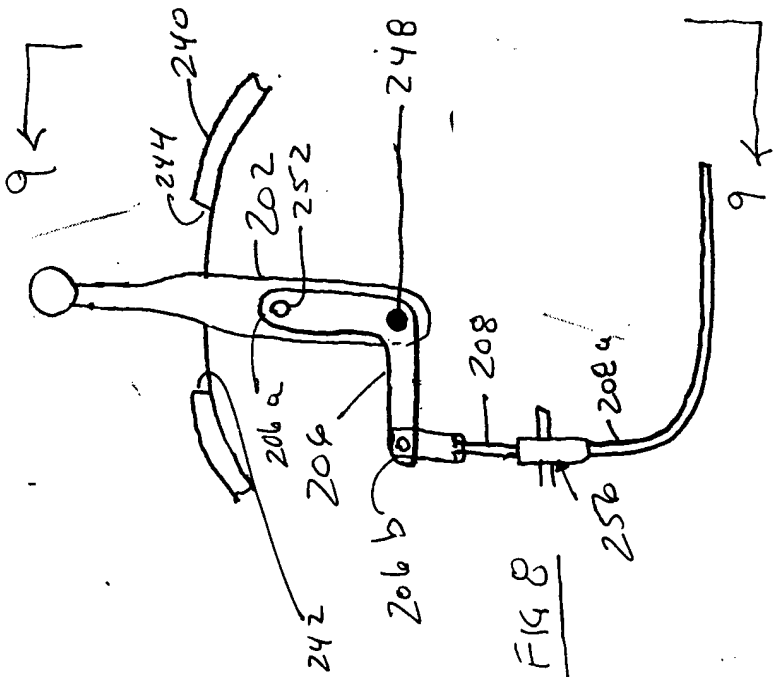


FIG 8

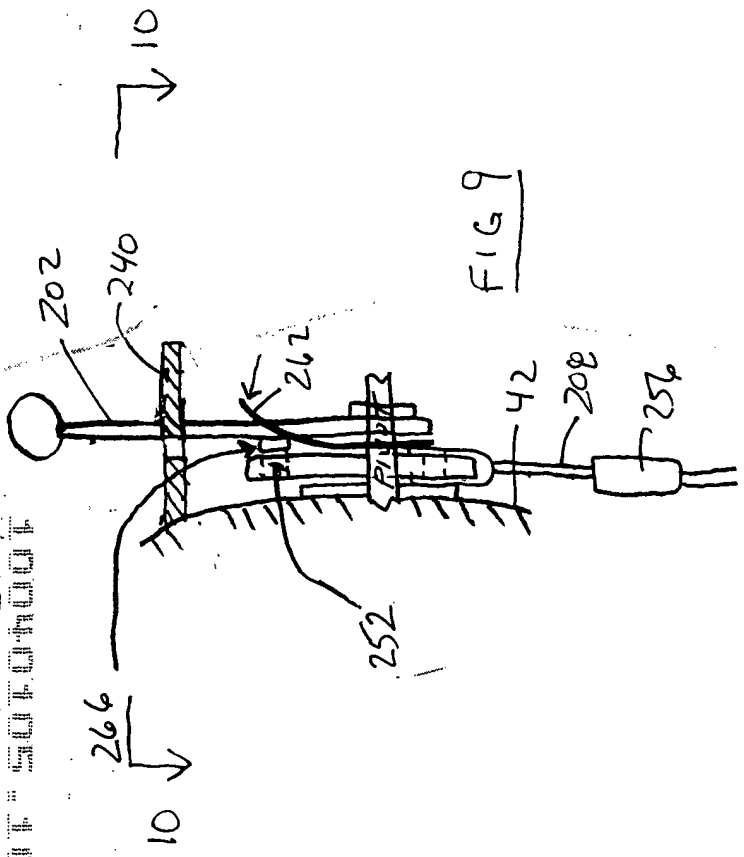


FIG 9

← N →

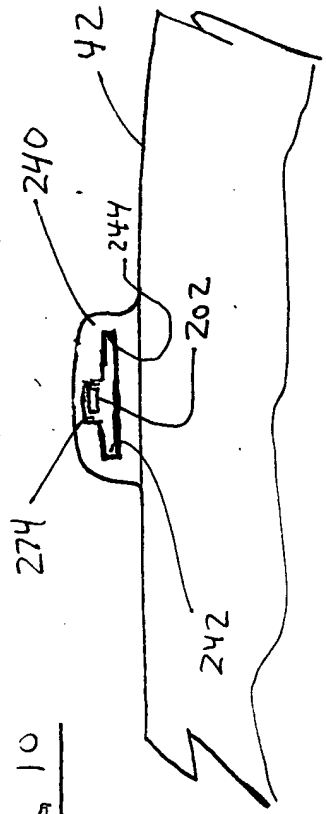


FIG 10

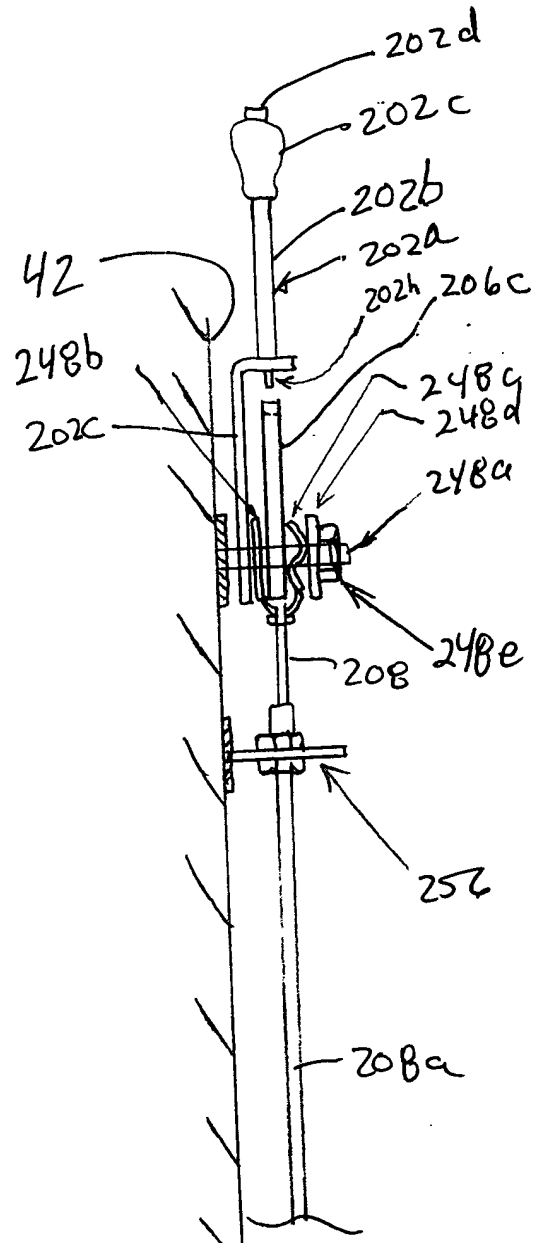
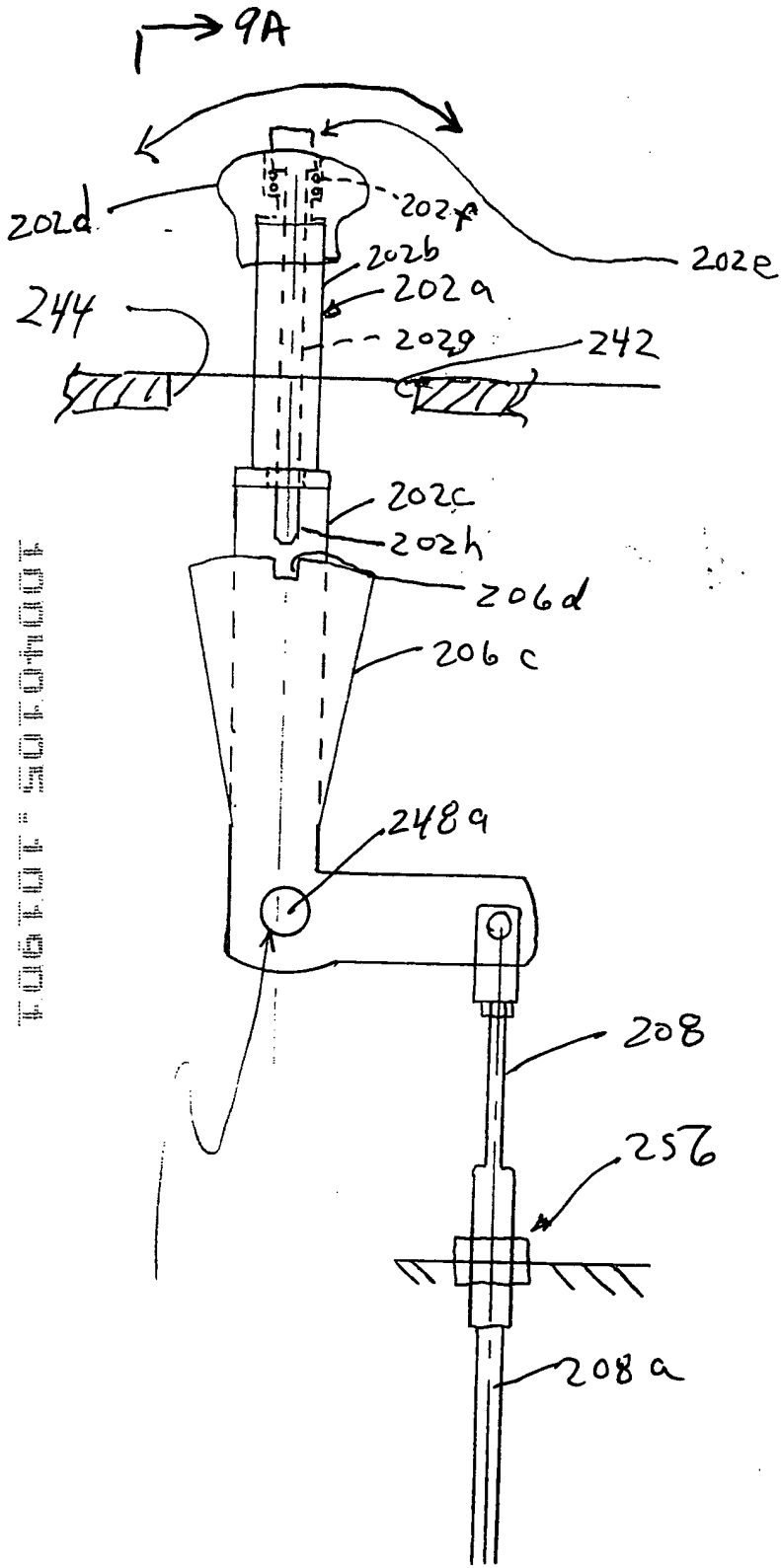


FIGURE 10

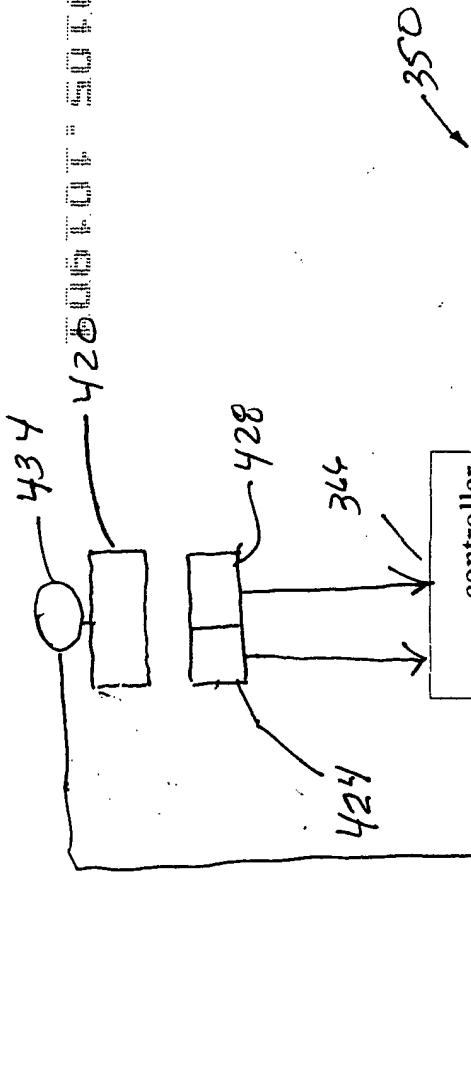
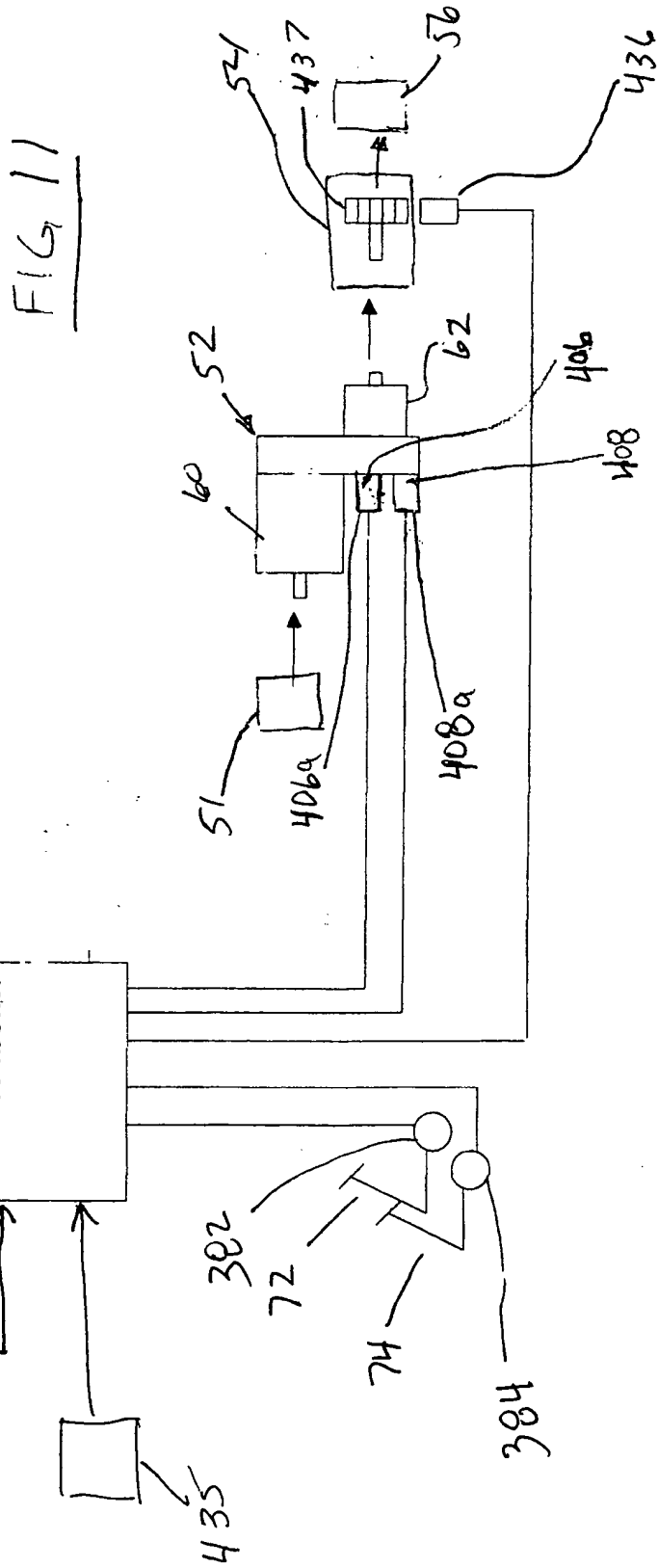
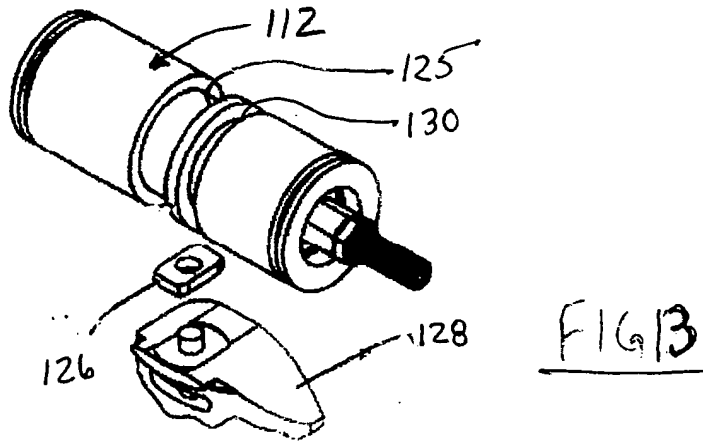
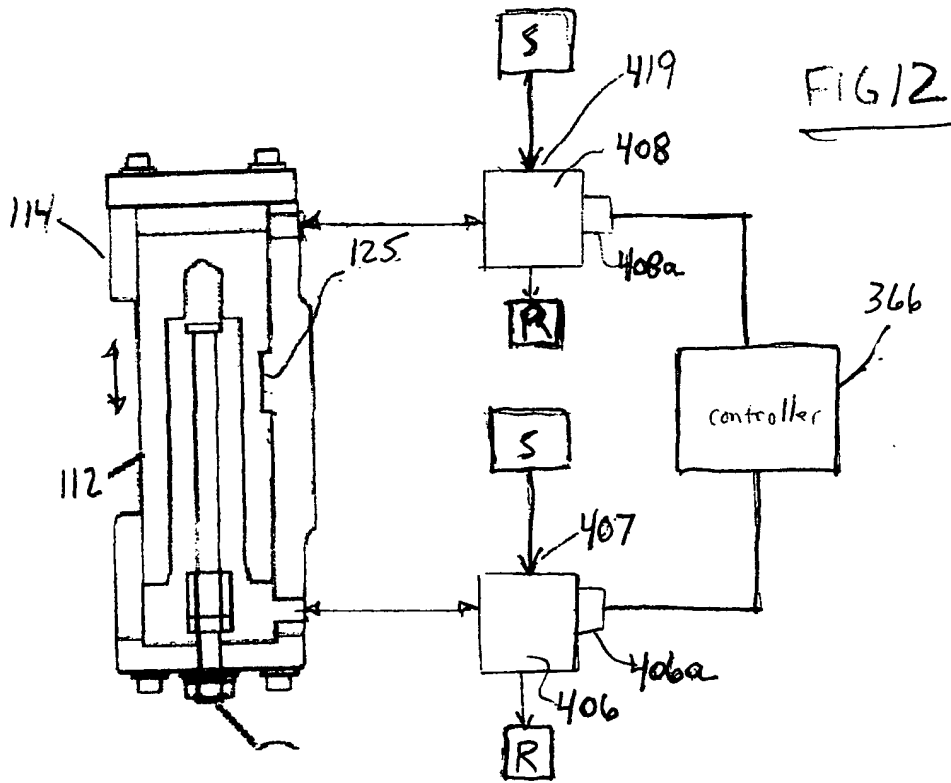


FIG 11





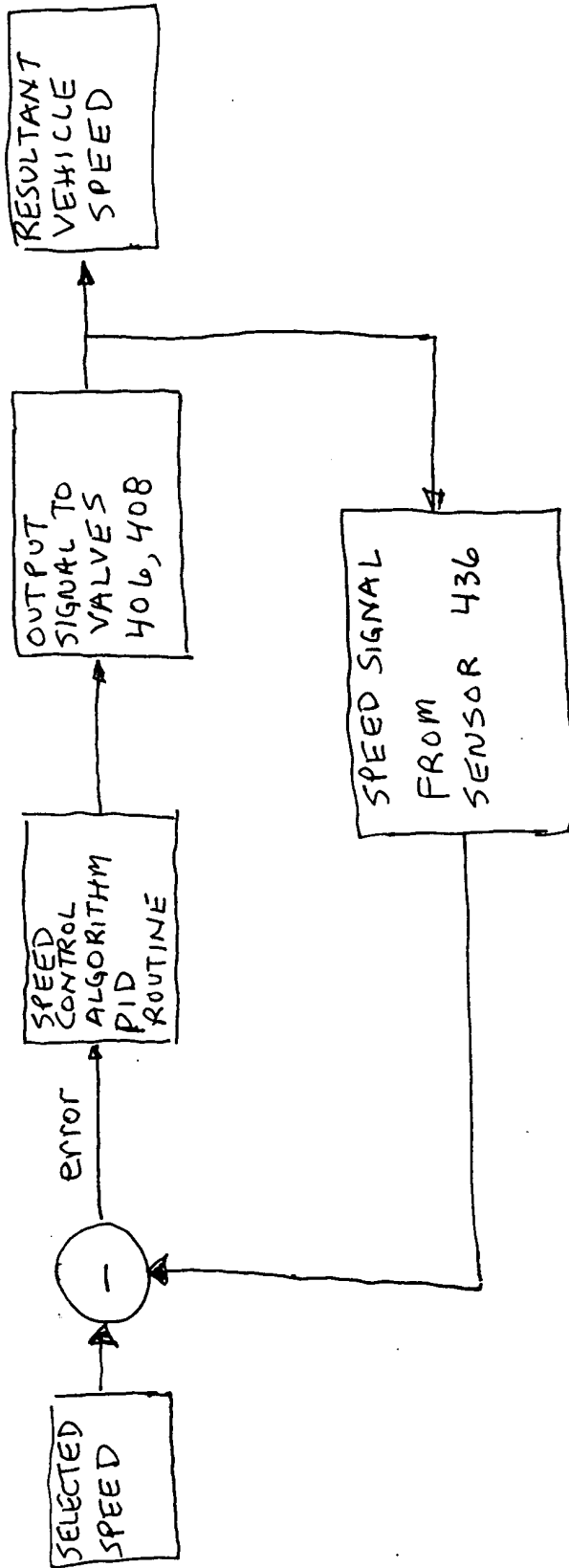


FIG 14

FOOT SUPPORT

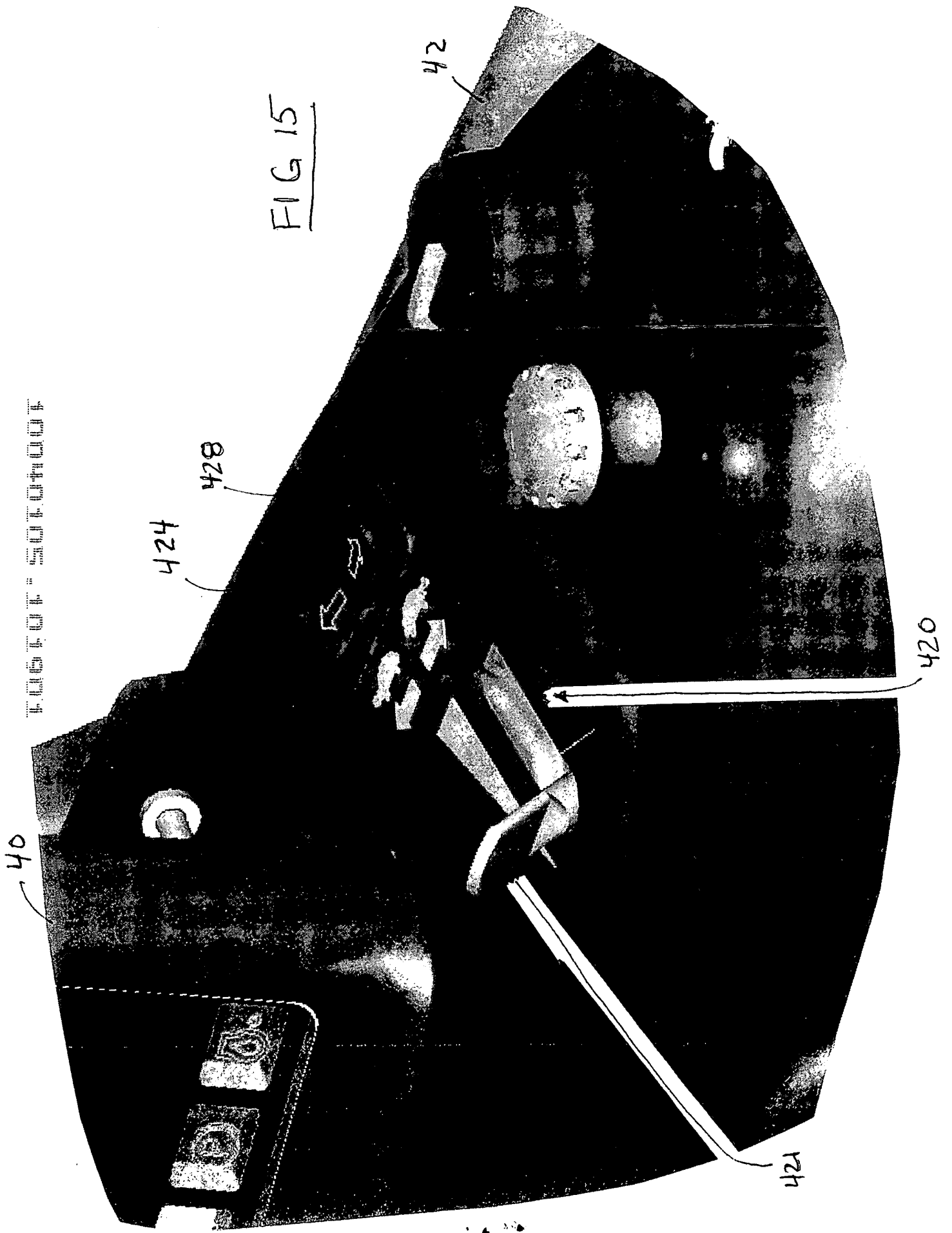


FIG 15

40

42

424

428

420

42A

FIG. 16

